

# Pump Rebuild Service

Mega Fluid System's select Pump Rebuild Service is aimed at providing a top-notch return on investment for your high purity pumps. At the heart of Mega's select Pump Rebuild Services are experienced, factory-trained service technicians. Together with full engineering support and a comprehensive quality control program, these skilled technicians will inspect your pump for component wear and process contamination, rebuild it using all OEM parts and service protocols, and finally, test for quality and functionality.

## Benefits

- ◆ 50% Savings on rebuilding vs. purchasing new
- ◆ Functionality and reliability confirmation at your site or via a Certified Rebuilder
- ◆ Ensure pump is clean, removal of contaminants, oils that can be present with a new purchase
- ◆ Align pump rebuilds with Predictive Maintenance Schedules
- ◆ If done at your facility, removal of all logistics, shipping costs, importation and customs clearance

## Standard Rebuild Includes:

- ◆ Visual inspection upon receipt, FA available if requested
- ◆ Incoming decontamination
- ◆ Disassembly
- ◆ Inspect parts to provide failure analysis (if necessary)
- ◆ Clean parts
- ◆ Assemble OEM consumable parts
- ◆ Torque fasteners to manufacturing specifications
- ◆ Run on Mega Test Bench for  $\geq 8$  hours
- ◆ Purge, dry, and cap
- ◆ Label pump with date and previous chemical exposure
- ◆ Re-torque fasteners to manufacturing specifications
- ◆ Ship to customer (if not done at your facility)
- ◆ 6-month warranty on parts and workmanship



Mega's Rebuild & Test Station  
in Tualatin, Oregon

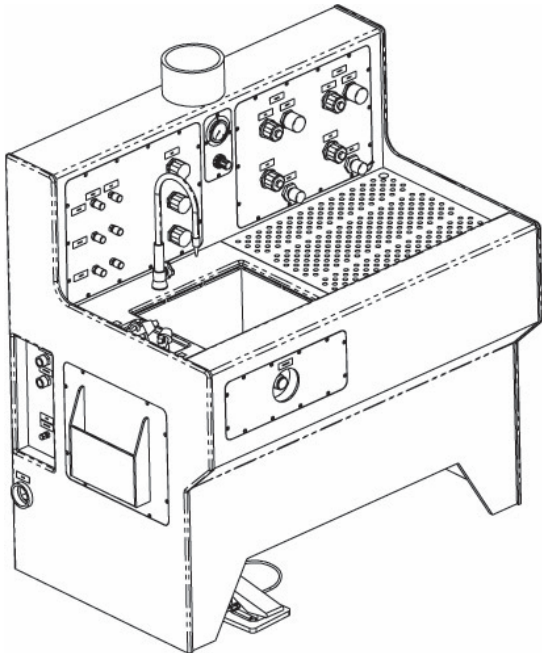


# Mega Pump Rebuild Service

## Price

List Price	Multi-unit Pricing	
	1-5 units	≥5 units
\$6500	\$5500 USD	\$4500 USD

## Optional Pump Decontamination Station



Mega Fluid System's Pump Decontamination Station is available for on-site pump rebuilds, decontamination, and testing. This station includes:

- ◆ Sink w/gooseneck faucet and footswitch
- ◆ Air and water spray guns
- ◆ Pump supply and drain lines
- ◆ UPW supply and return lines
- ◆ Air pressure inlets
- ◆ Exhaust
- ◆ Optional in-sink spray bar

To learn more about the Mega Pump Rebuild Service, contact your account representative, call 1-855-604-MEGA (6342) or e-mail [service@megafluidsystems.com](mailto:service@megafluidsystems.com).



Mega Fluid Systems, Inc.  
9398 SW Tualatin-Sherwood Rd.  
Tualatin, OR 97062  
Telephone 971.277.9000  
Facsimile 971.277.9010  
[www.megafluidsystems.com](http://www.megafluidsystems.com)

Mega Fluid Systems, Mega Systems, and Mega are trademarks of Mega Fluid Systems, Inc. All other product or service names mentioned in this document may be trademarks of the companies with which they are associated. System descriptions are typical and subject to change without notice.

© 2017 Mega Fluid Systems, Inc.

Revision 1.0